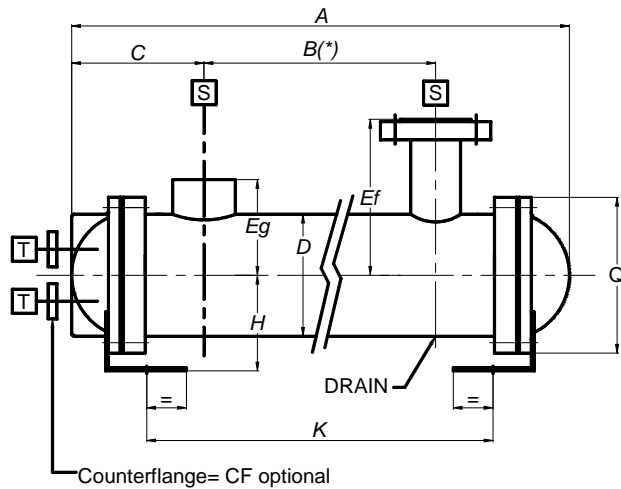


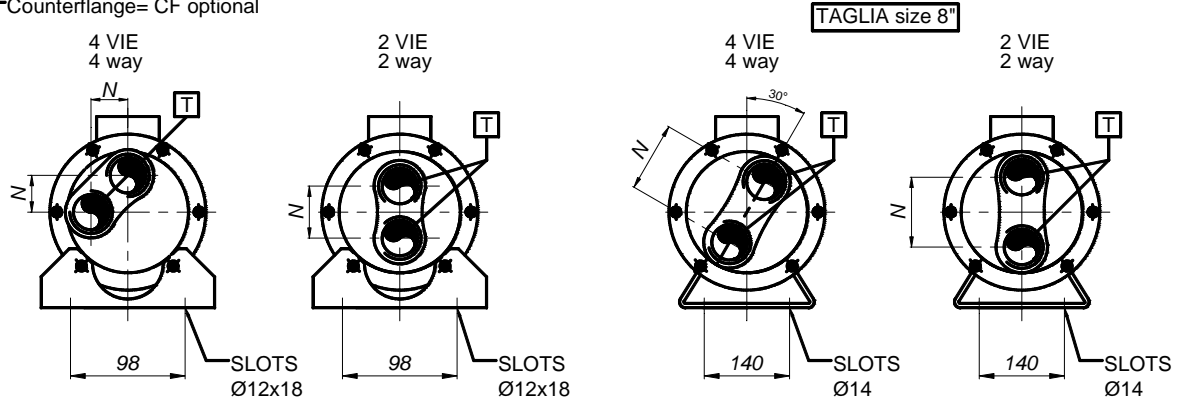


**FASCIO FISSO**  
**Fixed tubesheet**



DATI DI PROGETTO <i>design data</i>	U.M.	SHELL	TUBES
TEMP. PROGETTO <i>design temperat.</i>	°C	99	99
PRESS. PROGETTO <i>design pressure</i>	Bar G	10	10
PRESSIONE PROVA <i>test pressure</i>	Bar G	13	13

VERNICIATO - Painting = RAL 5012

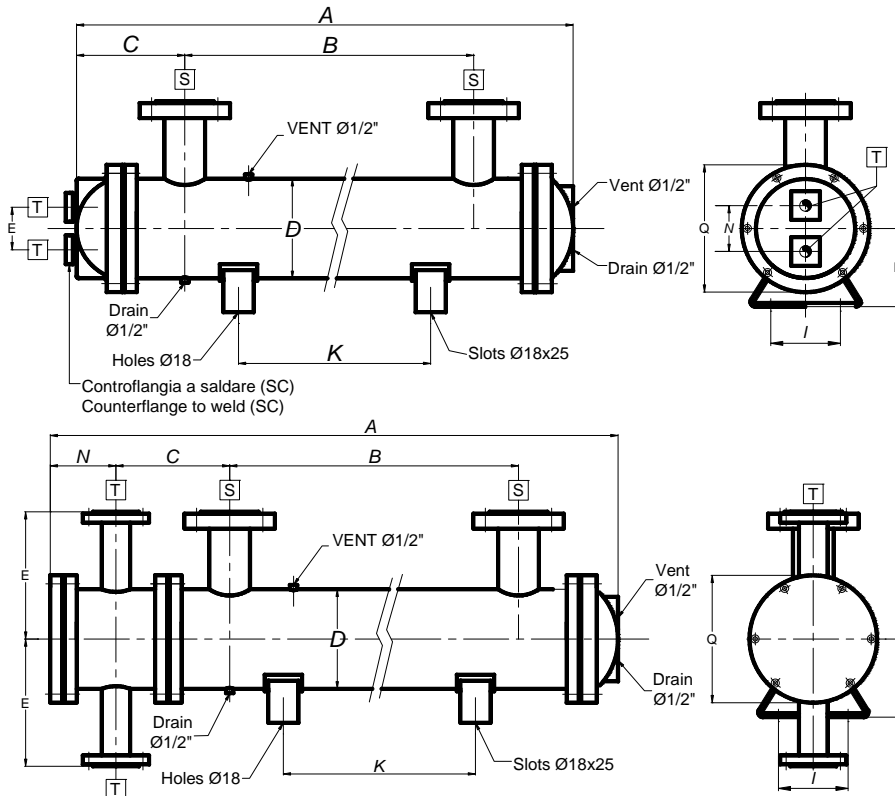


TAGLIA size	A	B	C	D	H	K ±3		Q	Eg	CONNESSIONI LATO CORPO <i>connections shell side</i>				CONNESSIONI LATO TUBI <i>connections tube side</i>				
						ØS (GAS) Type				ØS (FL.) Type		4 vie / way		2 vie / way				
						A	B			A	B	N	ØT GAS	N	ØT GAS			
<b>3012</b>	430	250	90	83	65	309	304	108	65	1"	1½"	130	DN25	DN40	25	¾"	50	1"
<b>3020</b>	685	500				564	559											
<b>3030</b>	990	805				869	864											
<b>3040</b>	1295	1110				1174	1169											
<b>4012</b>	435	250	95	108	90	309	333	145	85	1"	1½"	140	DN25	DN40	35	¾"	55	1"
<b>4020</b>	690	500				564	588											
<b>4030</b>	995	805				869	893											
<b>4040</b>	1300	1110				1174	1198											
<b>5012</b>	455	240	115	140	105	313	308	180	105	1½"	2"	155	DN40	DN50	45	1"	76	1½"
<b>5020</b>	710	490				568	563											
<b>5030</b>	1015	795				873	868											
<b>5040</b>	1320	1100				1178	1173											
<b>6020</b>	750	470	145	168	125	573	580	210	120	2"	2"	170	DN50	DN65	50	1½"	86	2"
<b>6030</b>	1055	775				878	885											
<b>6040</b>	1360	1080				1183	1190											
<b>6050</b>	1665	1385				1488	1495											
<b>8030</b>	1090	740	175	219	180	600	600	265	150	3"	3"	200	DN65	DN80	140	2"	130	3"
<b>8040</b>	1395	1045				800	800											
<b>8050</b>	1700	1350				1000	1000											
<b>8060</b>	2005	1655				1200	1200											

(\*) Con connessione "Type B" – interasse bocche = B-15 mm  
With shellside port "Type B" – dimension = B – 15 mm



**FASCIO FISSO - COSTRUZIONE STANDARD**  
 ALTA' POTENZIALITA' da 10" a 17"  
**Fixed tubesheet** – Standard construction  
 High duty from 10" to 17"



CONFIGURAZIONE - shape  
 COPERCHIO TIPO "B"  
 cover type

DATI DI PROGETTO design data	U.M.	SHELL	TUBES
TEMP. PROGETTO design temperat.	°C	99	99
PRESS. PROGETTO design pressure	Bar G	10	10
PRESSIONE PROVA test pressure	Bar G	13	13

VERNICIATO - Painting = RAL 7010

CONFIGURAZIONE - shape  
 COPERCHIO TIPO "A"  
 cover type

TAGLIA size	B	D	K	I	Q	H	E	ØS	COPERCHIO TIPO cover type <b>A</b>				COPERCHIO TIPO cover type <b>B</b>			
									A	C	N	ØT	A	C	N	ØT
<b>A040</b>	955	273	700	150	365	220	265	DN100	1665	298	185	DN80	1410	240	138	DN80
<b>A060</b>	1565		1200						2275				2020			
<b>A080</b>	2175		1600						2885				2630			
<b>A100</b>	2785		2000						3495				3240			
<b>B040</b>	935	323	700	180	420	240	300	DN125	1715	323	205	DN100	1440	262	168	DN100
<b>B060</b>	1545		1200						2325				2050			
<b>B080</b>	2155		1600						2935				2660			
<b>B100</b>	2765		2000						3545				3270			
<b>C040</b>	935	355	700	200	470	250	320	DN125	1755	338	220	DN125	1435	260	182	DN125
<b>C060</b>	1545		1200						2365				2045			
<b>C080</b>	2155		1600						2975				2655			
<b>C100</b>	2765		2000						3585				3265			
<b>D040</b>	900	406	700	230	505	275	340	DN150	1775	355	225	DN125	1535	342	195	DN125
<b>D060</b>	1510		1200						2385				2145			
<b>D080</b>	2120		1600						2995				2755			
<b>D100</b>	2730		2000						3605				3365			
<b>E040</b>	900	457	700	250	575	300	370	DN150	1825	355	225	DN125	1630	390	225	DN125
<b>E060</b>	1510		1200						2435				2240			
<b>E080</b>	2120		1600						3045				2850			
<b>E100</b>	2730		2000						3655				3460			